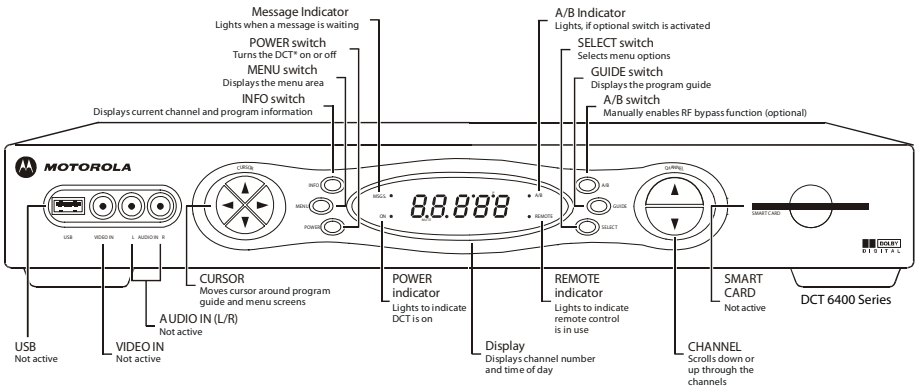


High Definition Television

High definition television (HDTV) combines extremely high resolution with Dolby Digital Surround Sound to provide a sharp viewing experience. Not all HD DCTs look the same. The one you receive may vary slightly from the diagram.



Is my TV High Definition?

You can examine your TV to determine what inputs are available to use. Some Enhanced Definition televisions (EDTV) will have inputs usually associated with HDTV service. To be certain whether your TV is HDTV, you will want to refer to the user's manual.

Installing High Definition Television

High definition television (HDTV) can be viewed using component RCA, HDMI or DVI connections. Not all HD DCTs have the same connections, and will usually have either HDMI or DVI, not both. If you wish to use the HDMI or DVI connection on your HDTV, but your DCT does not have the appropriate connection, you can call our customer service department or stop by your local office to get a DCT with the connections you want.

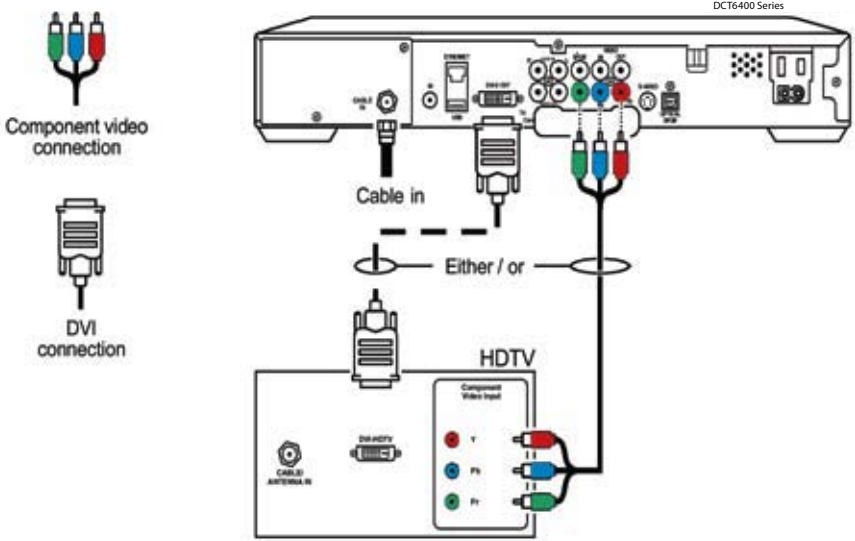


What kind of connection do I want?

In most cases, component RCA, HDMI and DVI connections provide comparable quality pictures, and RCA cables can be easier to use. However, if your HDTV is 42" or larger, or capable of 1080p resolution, you will likely notice a superior picture from HDMI or DVI. Similarly, if you use the speakers on your HDTV, audio RCA connections will provide comparable sound quality to SPDIF cables. However, if you are using a stereo tuner with Surround Sound, you will receive superior audio quality by using a coaxial or optical SPDIF cable.

Cable Television

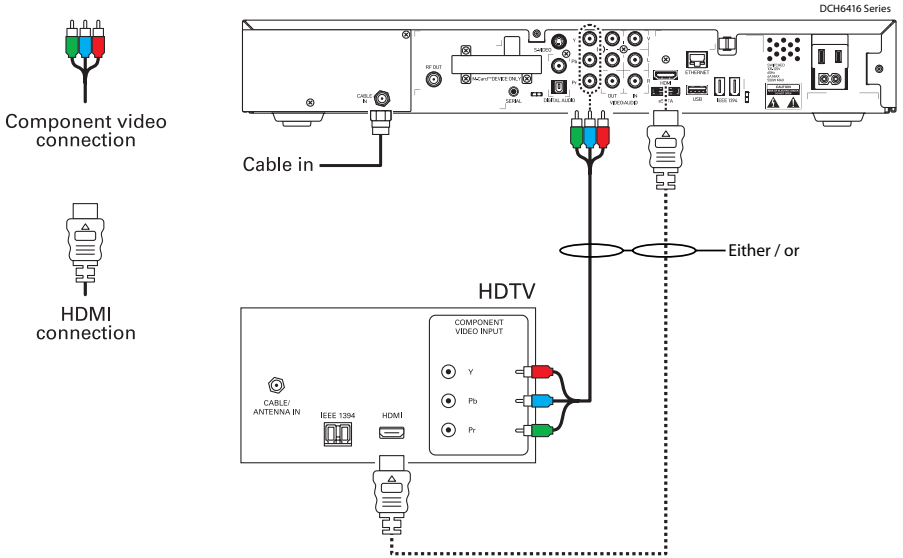
Connecting to an HDTV using Component Video or DVI Connections – Video Only



HDMI Operation Safety

Before connecting or disconnecting any HDMI cable, all equipment must be powered off. Otherwise, it is possible to overload and damage the cable and/or the equipment.

Connecting to an HDTV using Component Video or HDMI Connections – Video Only



Cable Television

Connecting a DCT to your HDTV – Video

First, connect the coaxial cable to the cable wall outlet and the CABLE IN connector on the DCT.

For RCA Component Video (YPbPr):

- Connect the component video cables to the Y (green), Pb (blue) and Pr (red) connectors on the back of the DCT and your HDTV.

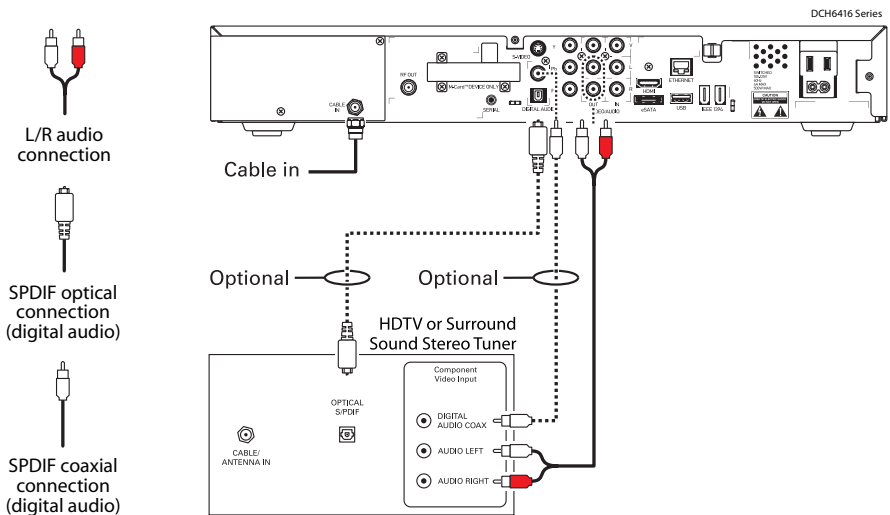
For DVI:

- Connect the DVI cable to the DVI-D OUT connector on the DCT, and the DVI-HDTV connector on your HDTV.

For HDMI (audio and video):

- Connect the HDMI cable to the HDMI OUT connector on the DCT, and the HDMI IN connector on your HDTV.
- If you are using a HDMI-capable receiver, connect one HDMI cable to the HDMI OUT connector on the DCT, and the HDMI IN connector on your receiver. Connect the second HDMI cable to the HDMI OUT on your receiver, and the HDMI IN connector on your HDTV.
- The HDMI equipment must be turned on in order. First turn on the DCT, then turn on your HDMI-capable receiver if you have one, then turn on your HDTV.

Connecting to an HDTV using optical, SPDIF, or RCA Connections – Audio Only



The HDMI connection also provides audio. No additional audio connections are required if the TV speakers are used for audio.

Cable Television

Connecting a DCT to your HDTV – Audio Only

For RCA Audio:

- Connect the audio RCA cable to the right (red) and left (white) connectors on the back of the DCT and your HDTV.

For coaxial or optical SPDIF:

- Connect either the coaxial or the SPDIF cable to the connectors on the back of the DCT and your Surround Sound stereo tuner.

High Definition Television Troubleshooting

- If you do not have a picture on your HDTV, turn off all equipment and check your connections. Some connectors such as HDMI can slip loose of the equipment, in which case you'll want all equipment off when reconnecting.
- If the picture is not displaying correctly with a digital connection, you may need to switch to an analog connection to troubleshoot your settings.
- The DCT output settings must match your HDTV input settings. To check the DCT output settings, turn the DCT off and hold down the Info and Guide buttons on the front panel at the same time. To check your HDTV input settings, check the manual or contact the support department for your HDTV manufacturer.
- Many home theater systems use automatic switching, allowing you to connect multiple devices to the receiver, and connect a single cable from the receiver to the television.
- If you use a receiver between the DCT and your HDTV and encounter any problems, try bypassing the receiver. Some receivers do not relay all digital copy protection signals, which prevents the picture from being displayed.
- If you have no sound and are using a stereo tuner, check the connections to and settings for the tuner.
- If you have no sound only on HD channels, your system may not be compatible with the multi-channel audio formats available with HDMI and SPDIF. If this is the case, set the digital audio setting for your HDTV or stereo tuner to PCM. This will convert the digital signal to an analog form the equipment can use.
- If any additional equipment in your home theater is not working correctly, you will want to refer to the user manual(s) for that equipment, or contact the support department for that equipment. The settings on audio/video equipment vary greatly from one manufacturer to another, and Wave Broadband technical support is not trained to troubleshoot third-party equipment.